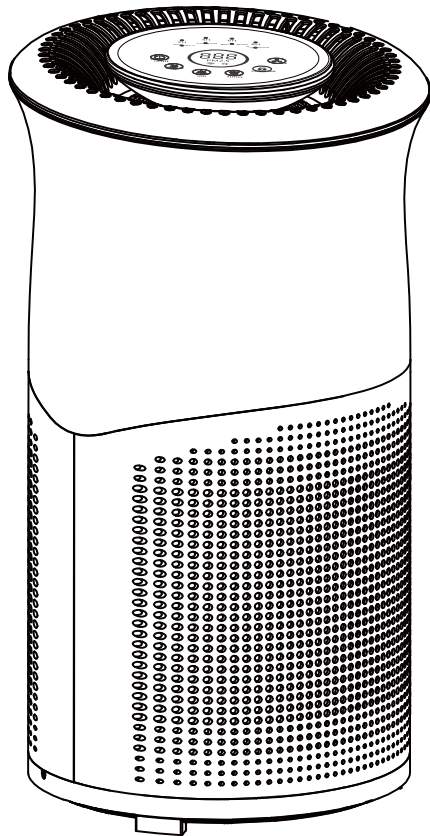


Content

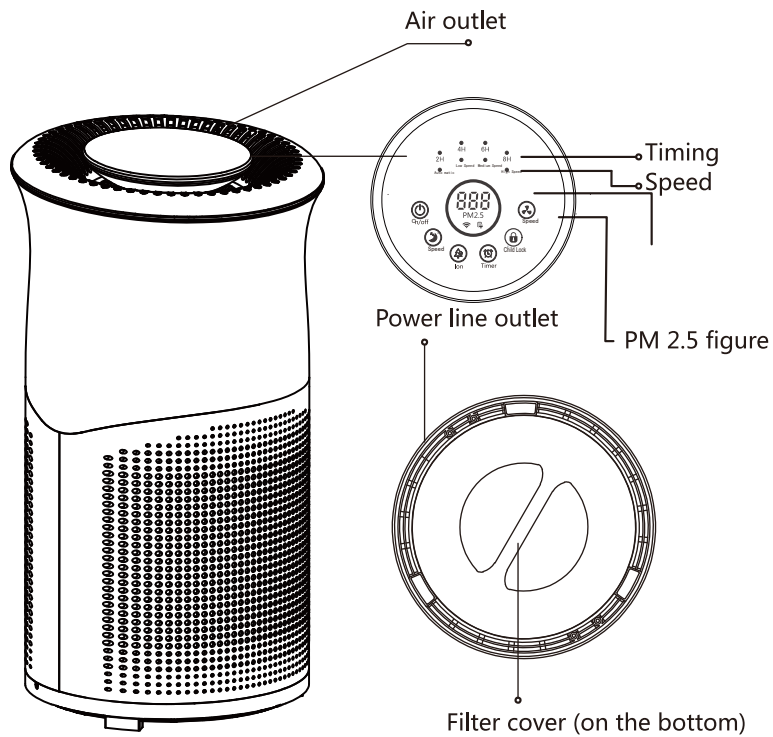
Air purifier Specification



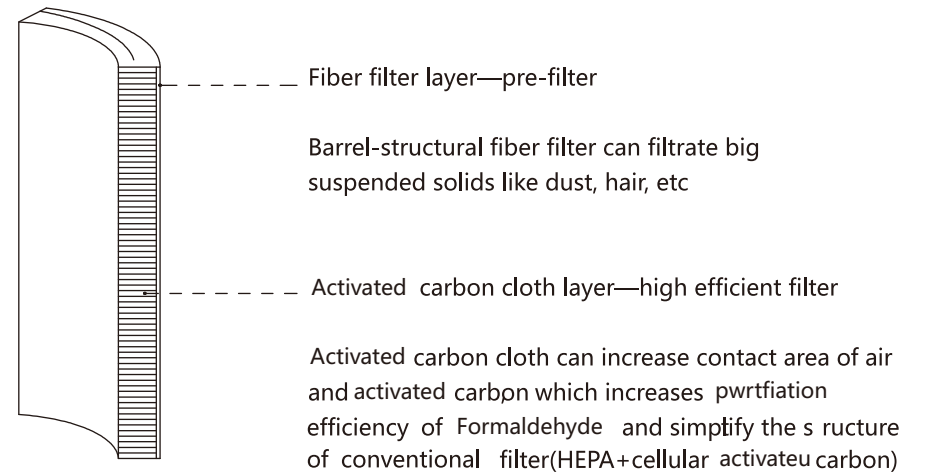
Thank you for choosing this product.
Please read the specification carefully before using the product.
Please keep this specification for future reference.

Product introduction	1
Filter introduction	2
Installation	3
Utilization	4-6
Basic parameters	7
Troubleshooting	7
Notes	8

Product introduction

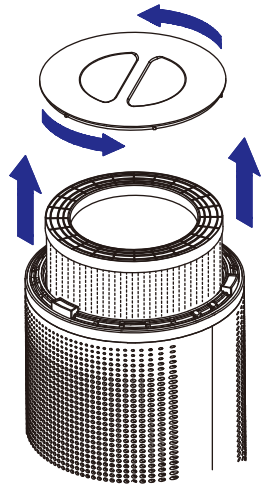


Filter introduction



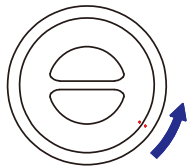
Cross section of filter

Installation

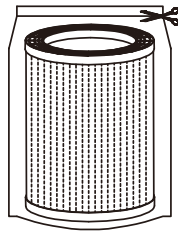


Bottom of the product

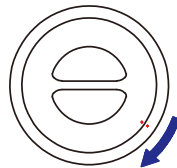
1. Filter installation



Open the cover on the bottom and take out the filter



Remove the package of the filter



Put back the filter and close the cover

Note: Please do well close the cover

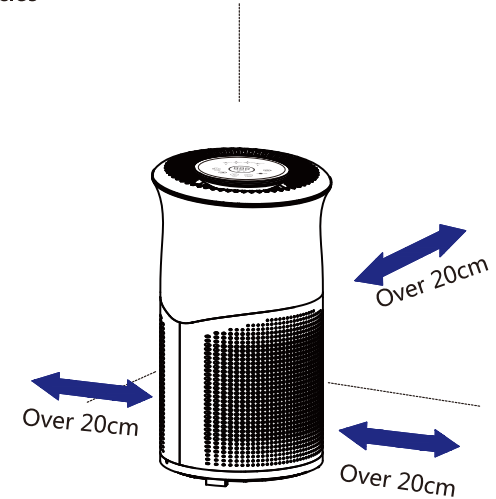
2. Power on

Connect the power line to the socket

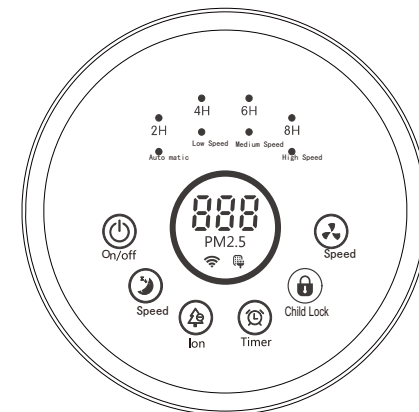
Utilization

Put this product at a suitable place

For better performance, please keep this product a certain distance (Over 20cm) from wall or other obstacles



Control panel illustration and operation description



Utilization



1.Connect to the power supply

Please connect this machine to a AC power supply with AC voltage 110V/220V and frequency 50Hz Please make sure the plug is well onnected to the power supply.

Note: do not unplug the plug with wet hands to avoid electric shock. Unplug the machine before moving it.



2.On/Off

Press the on/off button, then the appliane starts working. The screen lights up and presents operational mode. Press again the on/off button, then the appliane stops working.



3.Timer

Press the timer button, then the screen presents the default timing value of two hours, 2 or 4 or 6 or 8 hours can be chosen as working time.



4. Negative ion

Press the negative ion button , The negative ion generator will start working. Negative ion indicator will be on.



5.Filter changing

When timing indicator starts blinking, the filter needs to be changed. After changing filter, press 'timing' button for 5 seconds to reset timing. Then timing indicator will stop blinking.



6.Speed

Air speed is in auto speed mode by default upon starting, Press this button to choose air speeds, which comprise low speed, middle speed, high speed and auto speed.

Utilization



7.Auto mode

Auto mode is the default mode.The machine will work auto matically



8.Sleep

In sleep mode,the machine works with very little noise,the screen becomes dark.



9.Child lock

Press child lock button for 3 seconds to activate or close child lock.

Note:the icons above are all schematic icons, please make reference to the description to see specific function.

Air quality index

Air quality index	Indicator color	Air quality	Suggestions
20-70	Ocean blue	Good	Air quality causes no harm to people.
71-150	Deep blue	Slightly polluted	Some susceptible group should stay inside.
151-200	Fuchsia	Moderately polluted	Children, aged people and people with respiratory system diseases should avoid too many outdoor activities.
201-300	Red	Heavily polluted	People should stay inside.

Basic parameters

Product name	Air purifier
Rated voltage/frequency	110V~220V/50Hz
Rated power	60W
CADR	410m ³ /h (particulates) 、 180m ³ /h (HCHO)
Efficiency	Particulate matter (high efficiency)、 HCHO(high efficiency)
Noise	≤62dB
Dimension	H573×Φ330mm
Weight	About 5kg

Trouble shooting

Trouble	Possible solutions
The appliance doesn't work	Please ensure good connection to the power supply
The appliance works with lots of noise.	Please check if the filter has been installed Please check if the package of the filter has been removed
The appliance doesn't work with good effect	Please check if the filter has been installed Please check if the package of the filter has been removed Please check if the filter has been well installed

Notes

Transportation • While transportation, please turn off the appliance and unplug the power line

Installation • Keep the appliance at least 20cm from wall or other obstacles

Power line notes

- Do not over-twist the power line and use right AC socket
- Do not use the power line provided for other purpose
- Do unplug the power line from the socket while doing maintenance work or moving the appliance

During utilization

- Turn off the appliance immediately if there occurs abnormal noise, smell, high temperature ect
- Do not put finger or other things in any part of the appliance
- Do not block air inlet or outlet
- Do not sit or lean on the appliance
the appliance has no effect for CO

Utilization restrictions

Do not use the appliance in the following cases, or electric shot, fire or other damage may occur.

- In a place of which the ground is not flat
- In bathroom or other places with high temperature or high humidity